

AURORALIGHT

PROJECT: _____

SKU #: _____

TYPE: _____

TAOS

UDW110244

The Auroralight Sirena is an amphibious IP68, directional LED luminaire. At its core is a precision machined Cree® powered LED engine. An innovative CAM-LOC™ Stand allows quick and secure, tool-less adjustment.

- Storm Drain™ Lens Drainage System
- Cree LED™ XLAMP® High Density (XHP)
- Thermally Integrated® w/ Copper Core Technology®
- Ideal for water features and wet areas

CONFIGURATOR:

| UDW110244 | LED | FINISH |
|---------------------------------|--|---|
| () = Most common configuration | (2704) 2700K 4W (2706) 2700K 6W (3004) 3000K 4W (3006) 3000K 6W | (NAT) Natural Brass (BLP) Bronze Living Patina (BLPX) Extra Dark BLP (NI) Nickel PVD |

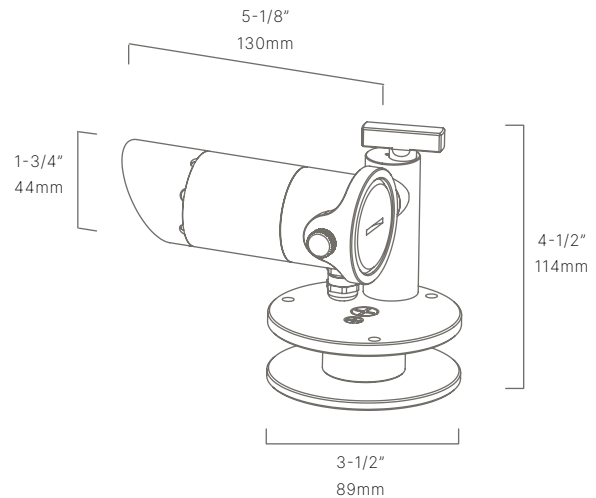


AVAILABLE FINISHES:



| | |
|--------------------|------------------------------------|
| FIXTURE DIMENSIONS | H4-1/2" x W3-1/2" x L5-1/8" |
| LIGHT SOURCE | Included LM11 LED Module |
| COLOR TEMPERATURES | 2700K, 3000K |
| WATTAGES | 4W, 6W |
| CRI (RA) | 80 CRI |
| VOLTAGE | 12V |
| DELIVERED LUMENS | 412lm (3000K) |
| DIMMABLE | Yes, Dim to <10% via Transformer |
| DRIVER | Yes, 12V Integral Constant Current |
| TRANSFORMER | 12V AC/DC (Supplied by others) |
| MOUNT | Included CAM-LOC™ Stand |
| ACCESSORIES | Yes, Included Spool Kit |
| OPTICS | Yes, Included 15°, 25°, 40° & 60° |
| FINISH | Included Natural Brass |
| MATERIAL | Brass |
| WIRE LENGTH | 24' |
| LOCATION | Interior & Exterior Wet |
| CERTIFICATIONS | UL, IP66, IP67, IP68 |

*For complete warranty terms, please visit: www.auroralight.com/warranty/



P. 760.931.2910

O. 2742 Loker Ave. W Carlsbad CA 92010

W. www.auroralight.com

MADE IN USA
WITH DOMESTIC & IMPORTED MATERIALS



AURORALIGHT

PROJECT: _____

SKU #: _____

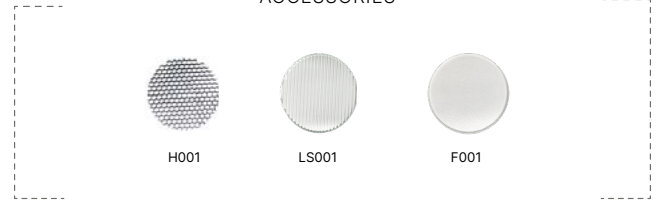
TYPE: _____

ADD-ONS

ACCESSORIES

| | |
|-------|--------------------|
| H001 | Hex Baffle |
| LS001 | Linear Spread Lens |
| F001 | Frosted Lens |
| GS002 | 90° Glare Shield |

ACCESSORIES



P. 760.931.2910

O. 2742 Loker Ave. W Carlsbad CA 92010

W. www.auroralight.com

MADE IN USA
WITH DOMESTIC & IMPORTED MATERIALS

